

EP24-CLA Series Specifications

EcoPlus light box with attached Luminous SkyTile sits on, and is clipped to, Classic Elevator
 EP24-CLA - 23.75" x 47.75" x 7.2" deep nominal (includes Elevator & SkyTile)
 EP24M-CLA - 59.14cm x 119.14cm x 18.3cm deep metric (includes Elevator & SkyTile)
 EP24G-CLA - 61.64cm x 124.14cm x 18.3cm deep German Metric (includes Elevator & SkyTile)

1 Lighting (EcoPlus LED back lit light box):

Color temperature: 6500K
 Strict LED binning standards assure consistent & high quality illumination
 State of the art back lit technologies provide uniform illumination for the Luminous SkyTile graphic
 Housed in a white powder-coated, extruded (non-ferrous) aluminum frame
 Moisture and chemical resistant
 Each unit has a four knock-out junction box
 Use in MRI, and other RF-free environments

2 Luminous SkyTile (lens):

Acrylic, Acrylite, or polycarbonate substrate
 Lightweight & durable
 High resolution reproduction from proprietary digital image file
 Color-calibrated for daylight quality light source
 Non-glare matte finish
 Fade resistant pigmented inks containing UV inhibitors

3 Classic Elevator (frame):

Moisture resistant, light weight aluminum
 1.25" (31.8mm) vertical profile
 Quick and easy installation
 Powder coated, white matte finish to match standard grid
 Compatible with standard 15/16" or 24mm grid systems
 Precision machined corners, seamless architectural appearance

UL, CSA, and CE compliant:

EP24 Series when used with 24PS HLG Power System,
 UL/CSA Listed or CE Compliant power supply
 fully certified by Intertek Group plc

Electrical:

24V DC, 1.96 Amps, 47.0 Watts per EP24 Series fixture
 Sky Factory 24PS HLG Power System
 Converts 90-305V AC to 24V DC
 Size and quantity per installation calculated by Sky Factory
 Power system aluminum enclosure
 Mounted on baseplate with junction box on input and output ends
 See 24PS HLG Power System Technical Specifications sheet
 Sky Factory provided HLG dimmable power supply
 Converts 90-305V, 47-63 Hz to 24V DC
 Client provided UL/CSA Listed or CE Compliant power supply
 Must convert V AC to 24V DC

Items not provided:

AC wiring between fuse/breaker panel and 24V DC power system
 DC wiring between 24V DC power system and EcoPlus light box
 Dimmer wiring between 24V DC power system and switch/dimmer control box
 RFI/EMI filters for MRI installations
 See Classic w/ EcoPlus Installation Instructions; and,
 Classic w/ EcoPlus Electrical Packet (24PS HLG), Electrical Instructions (HLG) or
 Electrical Instructions (Fixture Only)

Ceiling Clearance Dimensions:

Minimum space required above ceiling grid ranges from 7.25" (18.5cm) – 11" (28cm)
 depending on extent of fixture pre-assembly before installation in grid,
 and access to adjacent grid sections

Installation:

Elevators, tiles and luminaires easily installed into standard 15/16" or 24mm grid systems.
 EP24 Series can be grouped with EP22 Series fixtures.
 Classic EcoPlus SkyCeilings with perimeter can be recessed into a variety of hard ceilings.

Factory Installed Options:

Seismic

Configurations:

For sample configurations, go to skyfactory.com

US Patent Information:

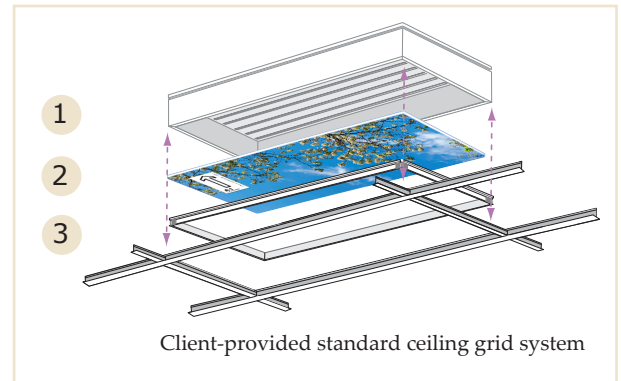
Our products, systems, and methods may be protected by one or more of the following US Patents: Pat. 9,164,011, Pat. 8,851,700, Pat. 7,959,316, and Pat. 7,481,550, as well as other patents pending.

Classic EP24 Series

EP24-CLA, EP24M-CLA, EP24G-CLA

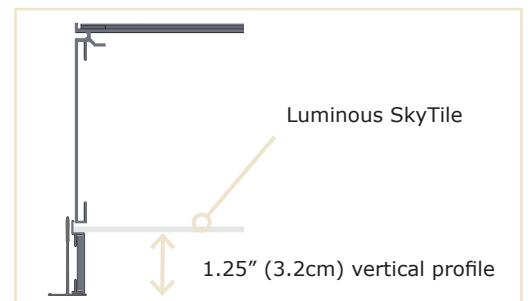
Ceiling Grid Mount

Back Illuminated Sky Image Ceiling



Key Attributes:

15/16" (24mm) ceiling grid mount
 Low profile – 7.25" (18.5cm) high
 6500 Kelvin – cool daylight
 Non-ferrous, RF-free construction



Dimensions and Weight

